

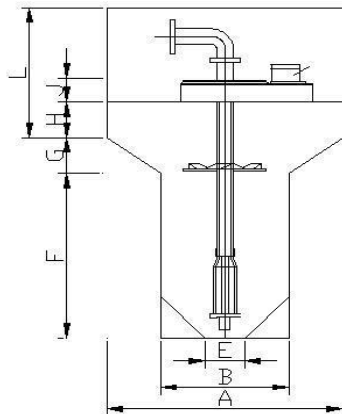
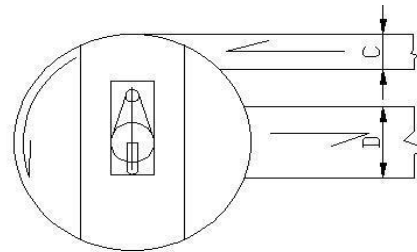
ROTATING BLADE SAND REMOVER

1. The Rotating blade sand removal is mainly used for pretreatment in sewage treatment plants (stations), which is used for removing large inorganic particles in the sewage before the grout.

2. The Rotating blade sand removal system includes Rotating blade sand removal, Grit and Sand Classifier, blower or sand suction pump.

Specifications - Models

Rotating blade sand remover



	A	B	C	D	E	F	G	H	J	K	L
180T/h	1.83	1	0.305	0.61	0.3	1.4	0.3	0.3	0.2	0.8	1.1
360T/h	2.13	1	0.38	0.76	0.3	1.4	0.3	0.3	0.3	0.8	1.1
600T/h	2.43	1	0.45	0.9	0.3	1.45	0.4	0.3	0.4	0.8	1.15
1000T/h	3.05	1	0.61	1.2	0.3	1.55	0.45	0.3	0.45	0.8	1.35
1800/h	3.65	1.5	0.75	1.5	0.4	1.7	0.6	0.51	0.58	0.8	1.45
3000T/h	4.87	1.5	1	2	0.4	2.2	1	0.51	0.6	0.8	1.85
4600T/h	5.48	1.5	1.1	2.2	0.4	2.2	1	0.61	0.63	0.8	1.85
6000T/h	5.8	1.5	1.2	2.4	0.4	2.5	1.3	0.75	0.7	0.8	1.95
7800T/h	6.1	1.5	1.2	2.4	0.4	2.5	1.3	0.89	0.75	0.8	1.95





Features

The Rotating blade sand removal mainly uses the rotation of the mechanical impeller to control the flow velocity and flow state into the flow. Under the action of centrifugal force and gravity, the sand accelerates the settlement along the wall of the pool. At the same time, the organic matter is drifting with the flow under the action of the water. The sand in the bottom of the sink is lifted by the air or the political department is promoted, and a small amount of sewage is used. After entering the sand water separator, after separation and discharge, the cleaning water flows back to the grille well, so as to achieve the purpose of sand removal.

The Rotating blade sand removal is divided into integral and assembly type according to the main structure.



Application

1. Rotating blade sand removal can be used for sand removal, water washing, industrial dressing, solid-liquid separation, liquid degassing, etc.
2. Rotating blade sand removal can be used in many industries such as air conditioning water treatment, chemistry, petroleum, mining, medicine, textile and so on.

Equipment characteristics

1. The occupied area of the Rotating blade sand removal is small.
2. The sand effect of the Rotating blade sand removal is very little affected by the change of water volume.
3. The sand water separation effect of the Rotating blade sand removal is good. The sand content is low and the organic matter content is small, so it is convenient for transportation.
4. The system of Rotating blade sand removal adopts PLC automatic control sand washing and sand discharging cycle, which is safe and reliable.
5. The Rotating blade sand removal is easy to operate, simple to maintain and has long service life.
6. The blower adopts advanced technology abroad, with low noise.
7. Rotating blade sand removal has little influence on the surrounding environment and good sanitary conditions.