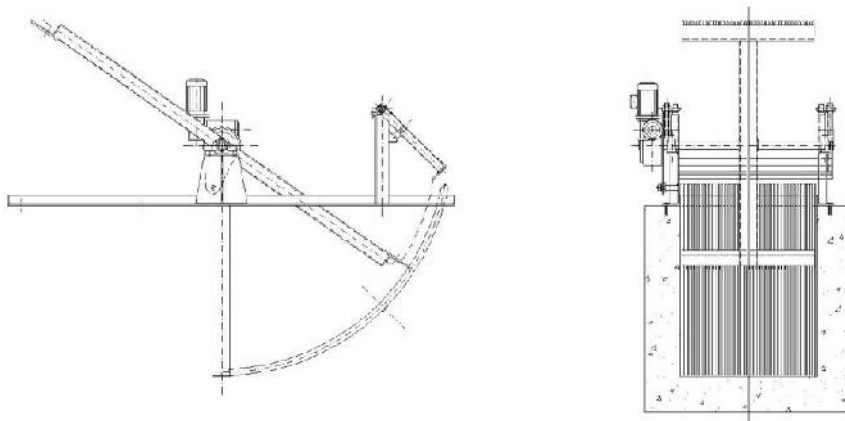


SELF-CLEANED CURVED CHANNEL SCREENS

APPLICATIONS

Self-cleaned curved channel screens are commonly used in the beginning of a treatment plant (pretreatment) in order to protect the installed electromechanical equipment from damages due to blockages from inert materials such as wood, stones, plastic materials, paper etc.

Due to the nature and the size of the materials expected to be screened, this type of screens are coarse (min. 10mm), their surface is static and are self-cleaned by a rotating arm, scrapping debris from their surface.



TECHNICAL FEATURES

- Complete stainless steel construction (AISI304/316 as standard but other qualities possible).
- One or two rotating arms possibility

DESIGN - CONSTRUCTION

All self-cleaned channel curved screens are designed and constructed in our workshop on custom-base basis, according to the channel drawings and specifications given by the customer. Our engineers develop the construction drawings according to the customer needs and then our technical workshop is constructing the screens, always under the requirements of the ISO quality system that we apply.

Screens are then sent to the Customer or can be installed on-site by our specialized technical crews.

Euro Construction Company AE
μ 9, 19441

: 210 7245642, : 210 7223620
email: ecc@ecc.com.gr
www.ecc.com.gr



Euro Construction Company SA
9 Dimokritou str, 194 41 Koropi, Attica,
Greece
Tel.: +30210 7245642, Fax: +30210 7223620
email: ecc@ecc.com.gr
www.ecc.com.gr