

### Specifications of FF Module (STERAPORE™ 5600 & 5700 Series)

**[Table of Specifications]**

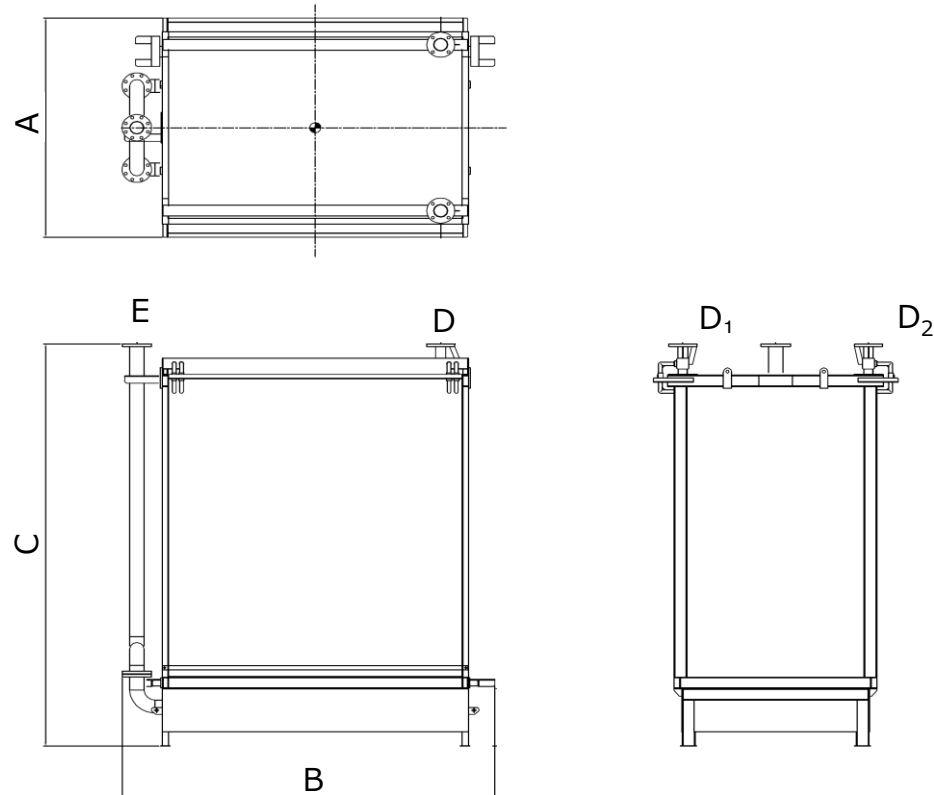
Model No.	Element Model No.	Number of Elements (pcs)	Membrane Surface Area (m <sup>2</sup> )	Dry Weight (kg)	Aeration (Nm <sup>3</sup> /min)			Minimum water depth (m)
					Minimum	Standard	Maximum	
					75m/h	125m/h	150m/h	
56M0400FF	56E0040SA	10	400	400	0.8	1.5	1.7	3.0
56M0800FF		20	800	600	1.5	2.7	3.1	3.0
56M1200FF		30	1,200	800	2.2	3.8	4.5	3.0
56M1600FF		40	1,600	1,000	2.9	5.0	5.9	3.0
56M2400FF		60	2,400	1,550	4.4	7.7	9.0	3.0
57M0050FF	57E0005SM	10	50	80	0.28	0.47	0.56	1.7
57M0100FF		20	100	110	0.49	0.81	0.98	1.7
57M0150FF		30	150	145	0.7	1.2	1.4	1.7
57M0200FF		40	200	175	0.9	1.5	1.8	1.7

Product specifications and shape described herein are subject to change without notice.

**[Table of Dimensions]**

Model No.	Element Model No.	Dimensions (mm)			Connection		Reference drawing
		Depth	Width	Height	Permeate Nozzle	Air Nozzle	
		A	B	C	D	E	
56M0400FF	56E0040SA	1,524	940	2,798	65A	80A	①
56M0800FF		1,524	1,390	2,798	65A	80A	
56M1200FF		1,524	1,870	2,798	65A	80A	
56M1600FF		1,524	2,320	2,798	65A	80A	
56M2400FF		1,524	3,416	2,798	65A	80A	
57M0050FF	57E0005SM	668	675	1,600	Rc1	80A	②
57M0100FF		668	967	1,602	Rc1 1/4	80A	
57M0150FF		670	1,245	1,632	Rc2	80A	
57M0200FF		670	1,520	1,632	Rc2	80A	

< Reference drawing ① >



< Reference drawing ② >

